

LED Solid Downlight

High Intensity Solid LED Lighting



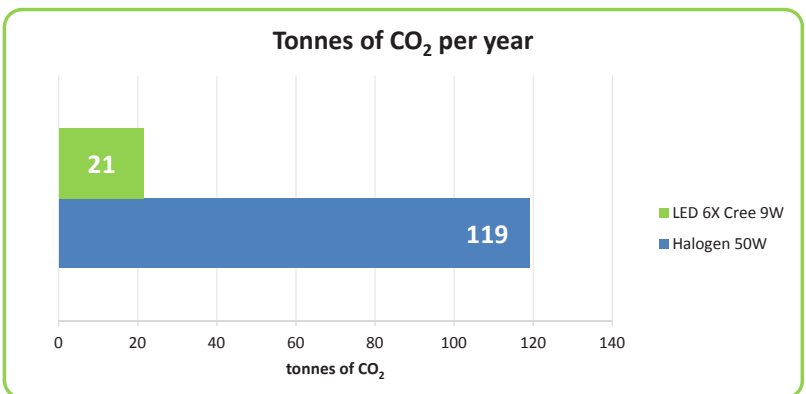
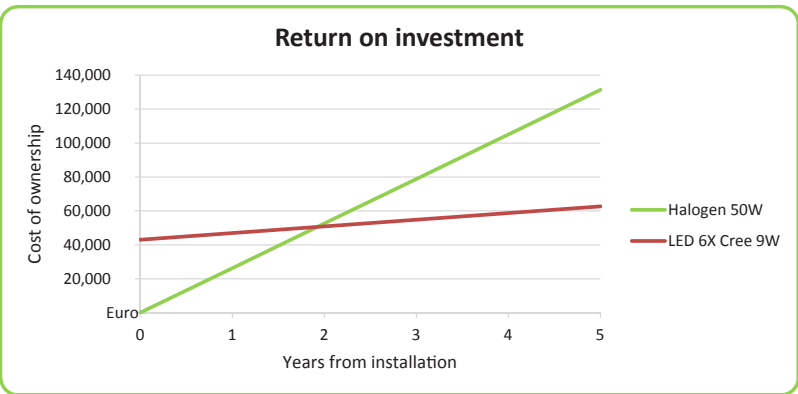
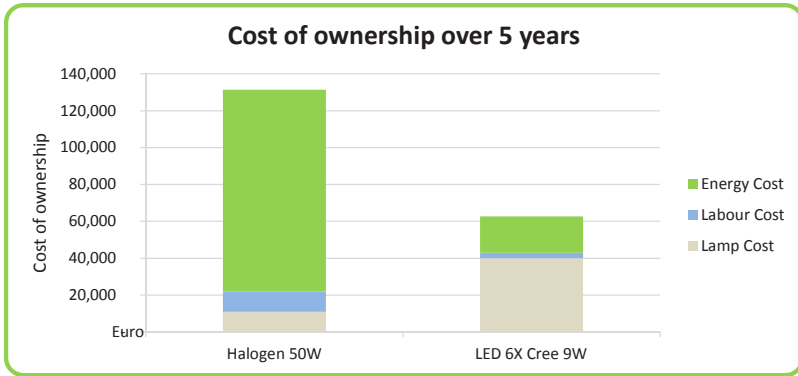
LED Solid Downlight

The Prometheus range of solid LED downlight's are high intensity replacements for traditional halogen spot lights. The units come complete with a brushed aluminium fitting that drops into existing ceiling cut outs.

Light output is significantly brighter than our retrofit range. The unique thermal dissipation properties allow for a greater light output and a longer lumen maintaining life-span.

Features

- 50,000 hours life span, lumen maintenance in excess of L70 performance
- Highly energy efficient
- Clean directional light where you want it.
- CREE LEDs are significantly brighter than standard LED spots
- Available in 4500k (Cool) and 3000K (Warm) Colour Temperatures
- Comparable light levels up to 75 watt halogen spots.



Energy savings that matter

1000 x 50 watt halogen spots were replaced with our 6X Cree spots.

Average on time was taken to be 12 hours a day, 4380 hours per year.

The LED replacement spots result in a total saving of over 68,000 Euro over a 5 year period.

Benefits:

- Payback within 2 years
- >80% energy and carbon reduction



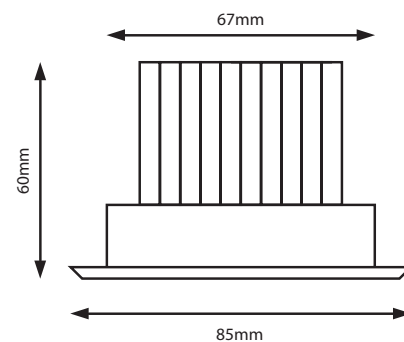


6X Cree

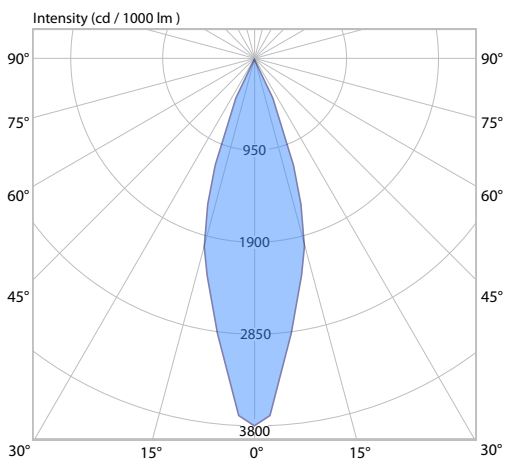
Specifications

Light source	3x 2.5W high power CREE LED
Drive Current	700ma maximum
LED Power	7.5 Watts (700ma drive current)
Brightness Degradation	< 0.5% per 1000 hours
Colour Rendering Index	>80
Light Purity	No UV or IR Radiation
LED Output	470 Lumens Cool, 370 Lumens Warm
Viewing Angle	32° Nominal Beam Angle 45° Beam Spread (Field Angle)
Total Power Usage	9 Watts (using ILD-LED0635CC driver)

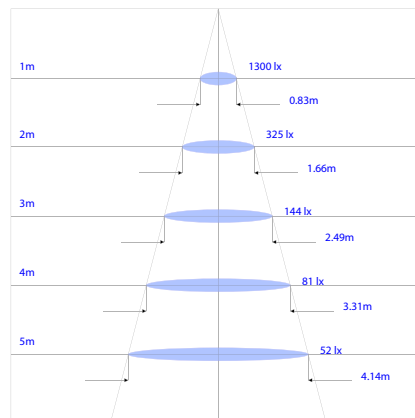
Dimensions



Polar Intensity Curve



Cone Diagram - Cool White



Halogen Equivalent



50W

35W

Luminous flux output: 340 Lumens Cool
260 Lumens Warm

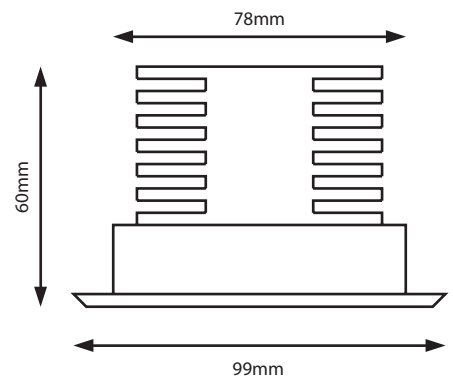


7X Cree

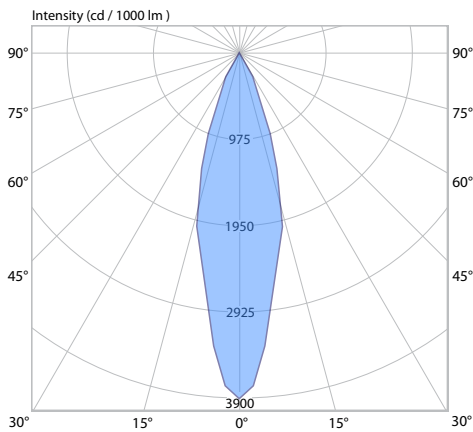
Specifications

Light source	7x 1W high power CREE LED
Drive Current	350ma maximum
LED Power	8 Watts (350ma drive)
Brightness Degradation	< 0.5% per 1000 hours
Colour Rendering Index	>80
Light Purity	No UV or IR Radiation
LED Output	630 Lumens Cool, 490 Lumens Warm
Viewing Angle	32° Nominal Beam Angle 45° Beam Spread (Field Angle)
Total Power Usage	9 Watts (using ILD-LED09T Driver)

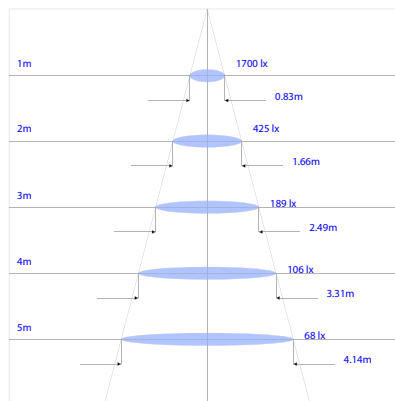
Dimensions



Polar Intensity Curve



Cone Diagram - Cool White



Halogen Equivalent



75W

40W

Luminous flux output: 435 Lumens Cool
333 Lumens Warm

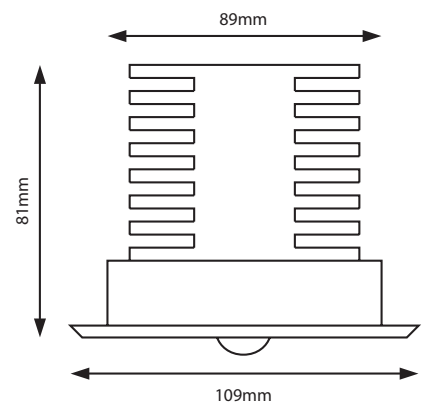


14X Cree

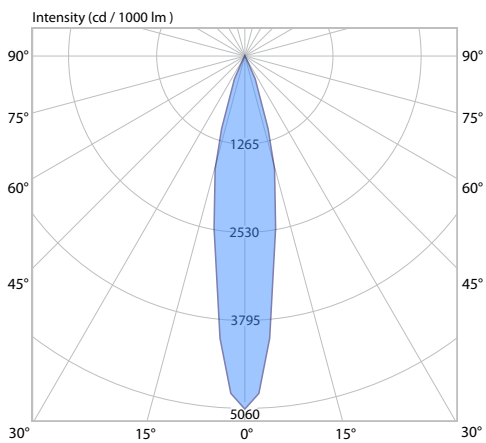
Specifications

Light source	7x 2.5W high power CREE LED
Drive Current	700ma maximum
LED Power	17.5 Watts (700ma drive)
Brightness Degradation	< 0.5% per 1000 hours
Colour Rendering Index	>80
Light Purity	No UV or IR Radiation
LED Output	1100 Lumens Cool, 860 Lumens Warm
Viewing Angle	20° Nominal Beam Angle 45° Beam Spread (Field Angle)
Total Power Usage	20 Watts (using ILD-LED7024CC driver)

Dimensions

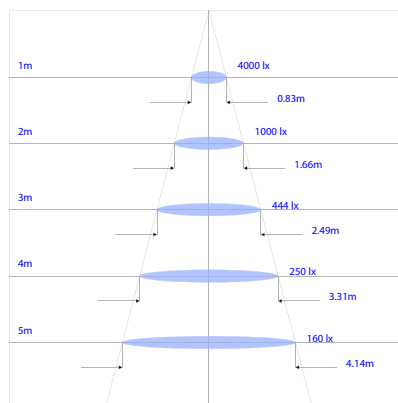


Polar Intensity Curve



Luminous flux output: 790 Lumens Cool
612 Lumens Warm

Cone Diagram - Cool White



Halogen Equivalent



Constant Current Drivers



ILD-LED0635CC - 350ma 1-6 LED Driver

Compatible with	Prometheus 6X CREE
Number of LEDs	1 to 6 x 1 Watt LEDs
Drive Current	350ma
Max Power Output	6 Watts
Input Voltage	100-264v AC 50/60Hz
Operating Temperature	45 deg C
Length	95 x 38 x 24mm



ILD-LED09T - 350ma 1-9 LED Driver

Compatible with	Prometheus 6X CREE, 7X CREE
Number of LEDs	1 to 9 x 1 Watt LEDs
Drive Current	350ma
Max Power Output	9 Watts
Input Voltage	100-264v AC 50/60Hz
Operating Temperature	45 deg C
Length	144 x 38 x 24mm



ILD-LED709CC - 700ma 1-3 LED Driver

Compatible with	Prometheus 6X CREE
Number of LEDs	1 to 3 x 3 Watt LEDs
Drive Current	700ma
Max Power Output	9 Watts
Input Voltage	100-264v AC 50/60Hz
Operating Temperature	45 deg C
Length	144 x 38 x 24mm



ILD-LED7024CC - 700ma 5-8 LED Driver

Compatible with	Prometheus 14X CREE
Number of LEDs	5 to 8 x 3 Watt LEDs
Drive Current	350ma
Max Power Output	24 Watts
Input Voltage	100-264v AC 50/60Hz
Operating Temperature	45 deg C
Length	140 x 43 x 27mm