

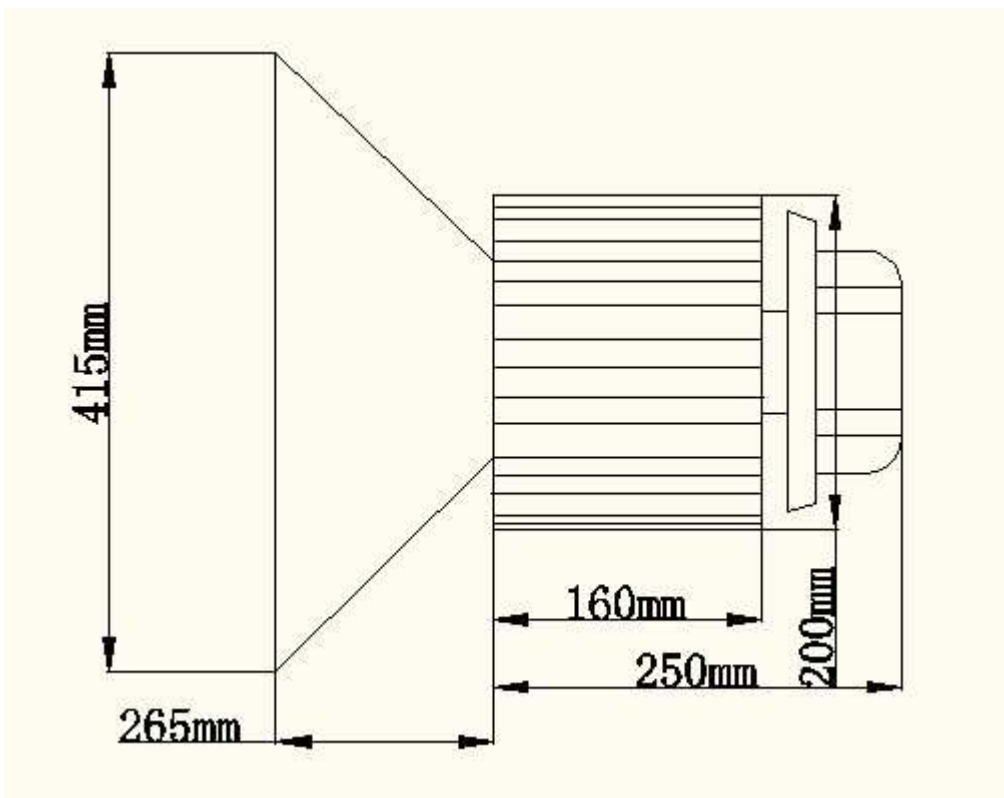
LED INDUSTRY 100W DATASHEET

LED & LED

Picture of real products



Dimension (mm)



Features		
Item	Parameter range	
output power	100W	
Dimension	200mm*250mm+265mm	
LED Amount	100PCS	
CRI	≥75%	
CCT	5500K-6000K	
Lifespan	≥40000 Hours	
Luminous Flux	≥8500LM	
Irritation Angle	45°/90°/120°	
Net Weight	9.4kg	
Gross Weight	10kg。	
Light fix finestra		
Packing Specifications	47*47*58cm	
Installation Height	4M-12M	
• technical request		
item	units	Parameter range
working environment	°C	-37°C – +55°C
Working humidity		≥95%
storage condition	°C	-40°C-80°C
Input voltage	V	AC120V-277V/50Hz/60HZ
Input current	A	0.45A/220V
Waterproof	IP42	

●LED (LED Parameter range)

		LED	LED	LED
		120lm/@350ma	3.2V	120°

● **Features**

- A、 Saving up to 80%,
- B、 Lifespan≥40000 hrs
- C、 LED Green light sources
- D、。 Lowest maintenance charge
- E、 Patented Products
- F、 Easy to install : Need just connect to power supply

● **Typical Applications**

- 1. Industry

● **Attention**

- 1 . Check the power supply voltage,
- 2 . **Please read CAREFULLY the user manual before the construction**