

LED Extreme Lighting

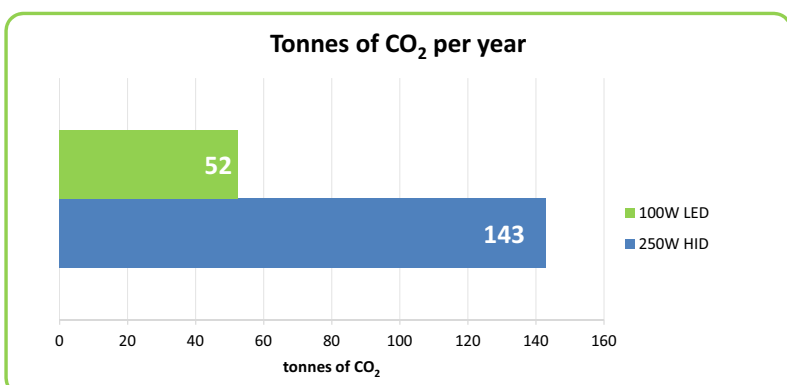
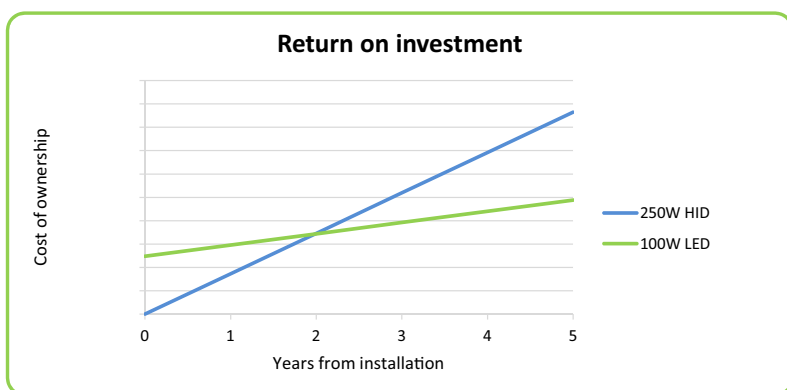
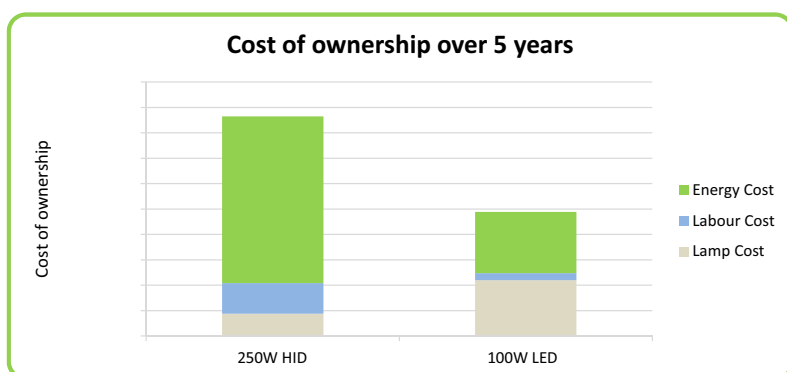
High Intensity Solid State LED Lighting



LED Extreme Lighting

Features

- High LED efficiency of 80 lumens / watt
- Significantly higher effective pupil lumens than traditional HID Lamps
- Efficient housing design results in 90% light utilisation
- 50,000 hours average LED life span
- High Power Factor (>0.9)
- 90% efficient integrated LED driver
- 4000K and 6000K Colour Temperatures, Instant On - full brightness
- Range of reflectors for 60 or 120 degree beam angles
- IP65 rated - can be used in out door applications
- No UV, IR, mercury or sodium



Benefits:

- Payback in 2 years
- 63% energy and carbon reduction





30 Watt LED

Electrical Specifications

Connection	3 Core earthed wire
Input Voltage	85~240v AC 50/60Hz
Total Power Usage	33 Watt
Power Factor	>0.9

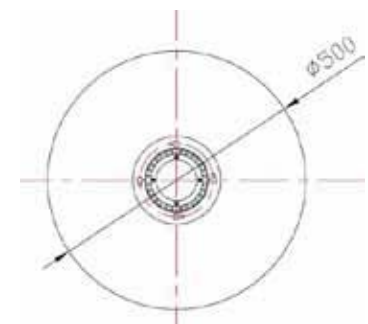
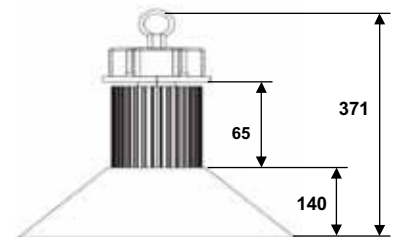
Light Output Specifications

Light source	1x 30 Watt LED
Brightness Degradation	< 1% per 1000 hours
Colour Rendering Index	>75
Light Purity	No UV or IR Radiation
Light Output	2400 Lumens
Viewing Angle	120 or optional 60 degree reflector
Dimmable	No

Dimensions

Size	50cm Ø x 371cm
IP Rating	IP65 - waterproof
Weight	5 Kg

Dimensions



Equivalent power guide



LED Model	HID Equivalent*
30 Watt	50 - 60 Watt
50 Watt	70 - 100 Watt
80 Watt	150 - 200 Watt
100 Watt	200 - 250 Watt
120 Watt	250 - 300 Watt
150 Watt	Up to 400 Watt

*HID lamps include metal halide, sodium and mercury



50 Watt LED

Electrical Specifications

Connection	3 Core earthed wire
Input Voltage	85~240v AC 50/60Hz
Total Power Usage	55 Watt
Power Factor	>0.9

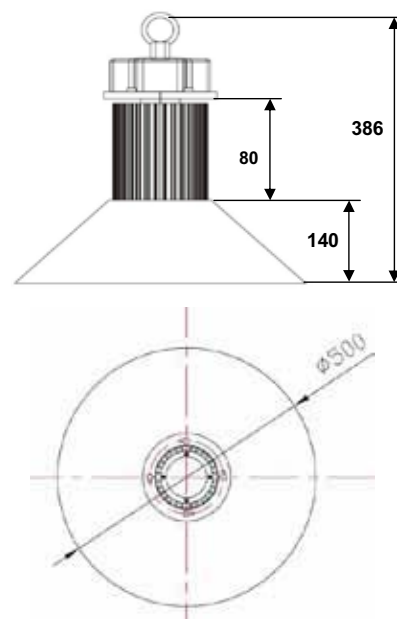
Light Output Specifications

Light source	1x 50 Watt LED
Brightness Degradation	< 1% per 1000 hours
Colour Rendering Index	>75
Light Purity	No UV or IR Radiation
Light Output	4000 Lumens
Viewing Angle	120 or optional 60 degree reflector
Dimmable	No

Dimensions

Size	50cm Ø x 386cm
IP Rating	IP65 - waterproof
Weight	5.3 Kg

Dimensions



Equivalent power guide



LED Model	HID Equivalent*
30 Watt	50 - 60 Watt
50 Watt	70 - 100 Watt
80 Watt	150 - 200 Watt
100 Watt	200 - 250 Watt
120 Watt	250 - 300 Watt
150 Watt	Up to 400 Watt

*HID lamps include metal halide, sodium and mercury



80 Watt LED

Electrical Specifications

Connection	3 Core earthed wire
Input Voltage	85~240v AC 50/60Hz
Total Power Usage	88 Watt
Power Factor	>0.9

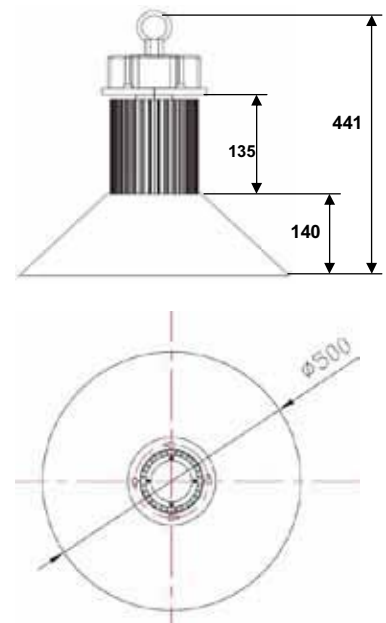
Light Output Specifications

Light source	1x 80 Watt LED
Brightness Degradation	< 1% per 1000 hours
Colour Rendering Index	>75
Light Purity	No UV or IR Radiation
Light Output	6400 Lumens
Viewing Angle	120 or optional 60 degree reflector
Dimmable	No

Dimensions

Size	50cm Ø x 441cm
IP Rating	IP65 - waterproof
Weight	5.5 Kg

Dimensions



Equivalent power guide



LED Model	HID Equivalent*
30 Watt	50 - 60 Watt
50 Watt	70 - 100 Watt
80 Watt	150 - 200 Watt
100 Watt	200 - 250 Watt
120 Watt	250 - 300 Watt
150 Watt	Up to 400 Watt

*HID lamps include metal halide, sodium and mercury



100 Watt LED

Electrical Specifications

Connection	3 Core earthed wire
Input Voltage	85~240v AC 50/60Hz
Total Power Usage	110 Watt
Power Factor	>0.9

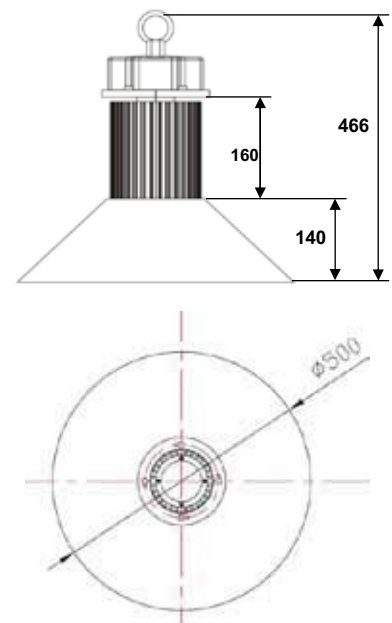
Light Output Specifications

Light source	1x 100 Watt LED
Brightness Degradation	< 1% per 1000 hours
Colour Rendering Index	>75
Light Purity	No UV or IR Radiation
Light Output	8000 Lumens
Viewing Angle	120 or optional 60 degree reflector
Dimmable	No

Dimensions

Size	50cm Ø x 466cm
IP Rating	IP65 - waterproof
Weight	6.2 Kg

Dimensions



Equivalent power guide



LED Model	HID Equivalent*
30 Watt	50 - 60 Watt
50 Watt	70 - 100 Watt
80 Watt	150 - 200 Watt
100 Watt	200 - 250 Watt
120 Watt	250 - 300 Watt
150 Watt	Up to 400 Watt

*HID lamps include metal halide, sodium and mercury



120 Watt LED

Electrical Specifications

Connection	3 Core earthed wire
Input Voltage	85~240v AC 50/60Hz
Total Power Usage	132 Watt
Power Factor	>0.9

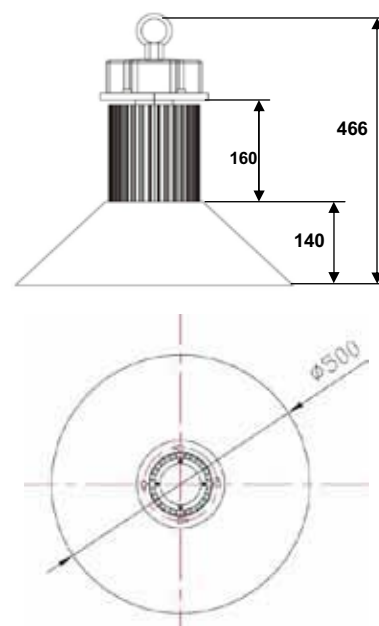
Light Output Specifications

Light source	1x 120 Watt LED
Brightness Degradation	< 1% per 1000 hours
Colour Rendering Index	>75
Light Purity	No UV or IR Radiation
Light Output	9000 Lumens
Viewing Angle	120 or optional 60 degree reflector
Dimmable	No

Dimensions

Size	50cm Ø x 466cm
IP Rating	IP65 - waterproof
Weight	6.2 Kg

Dimensions



Equivalent power guide



Switch to →

LED Model	HID Equivalent*
30 Watt	50 - 60 Watt
50 Watt	70 - 100 Watt
80 Watt	150 - 200 Watt
100 Watt	200 - 250 Watt
120 Watt	250 - 300 Watt
150 Watt	Up to 400 Watt

*HID lamps include metal halide, sodium and mercury



150 Watt LED

Electrical Specifications

Connection	3 Core earthed wire
Input Voltage	85~240v AC 50/60Hz
Total Power Usage	165 Watt
Power Factor	>0.9

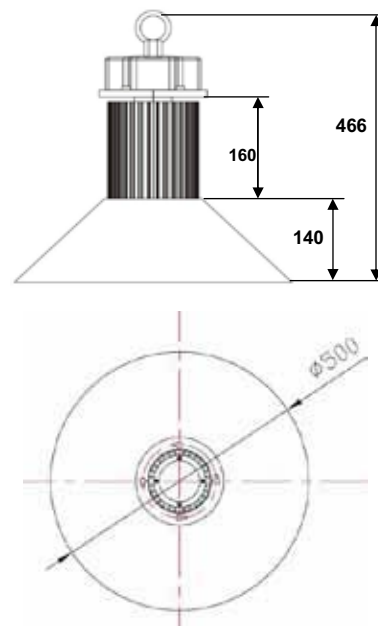
Light Output Specifications

Light source	1x 150 Watt LED
Brightness Degradation	< 1% per 1000 hours
Colour Rendering Index	>75
Light Purity	No UV or IR Radiation
Light Output	11000 Lumens
Viewing Angle	120 or optional 60 degree reflector
Dimmable	No

Dimensions

Size	50cm Ø x 466cm
IP Rating	IP65 - waterproof
Weight	7.5 Kg

Dimensions



Equivalent power guide



Switch to →

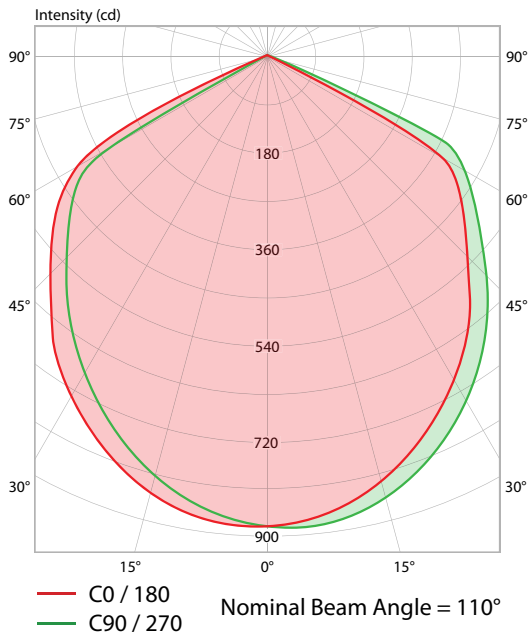
LED Model	HID Equivalent*
30 Watt	50 - 60 Watt
50 Watt	70 - 100 Watt
80 Watt	150 - 200 Watt
100 Watt	200 - 250 Watt
120 Watt	250 - 300 Watt
150 Watt	Up to 400 Watt

*HID lamps include metal halide, sodium and mercury

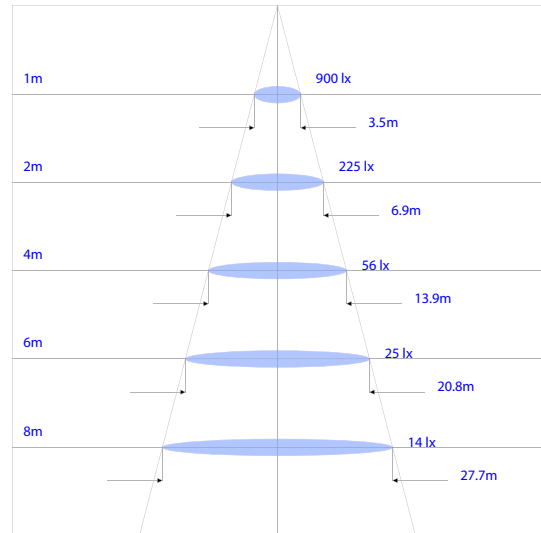
Photometric Information

30 Watt LED - 120° Field angle (beam width)

Polar Intensity Curve

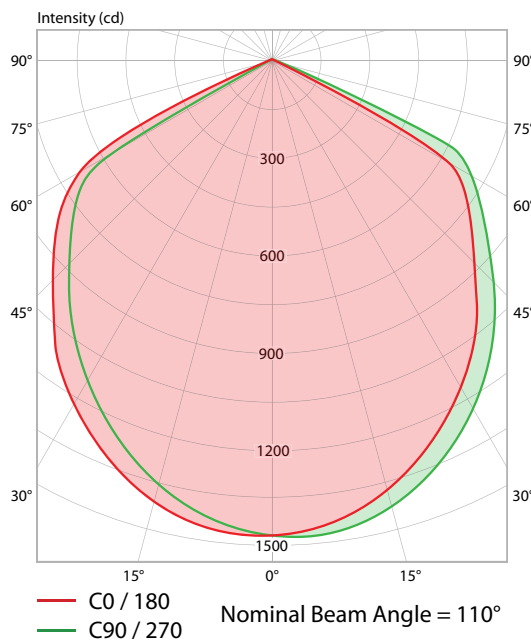


Cone Diagram

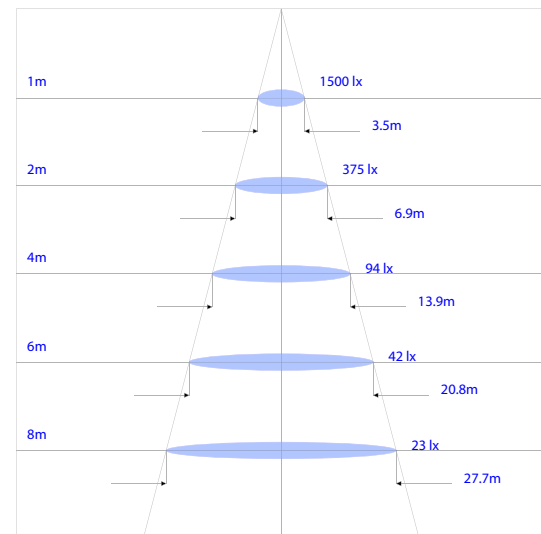


50 Watt LED - 120° Field angle (beam width)

Polar Intensity Curve



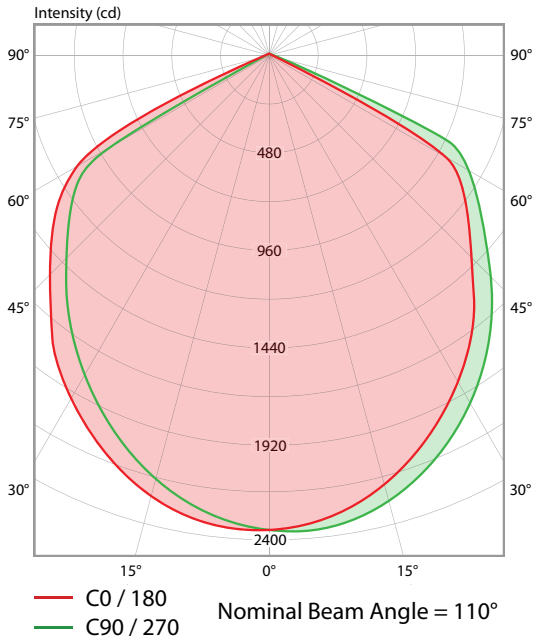
Cone Diagram



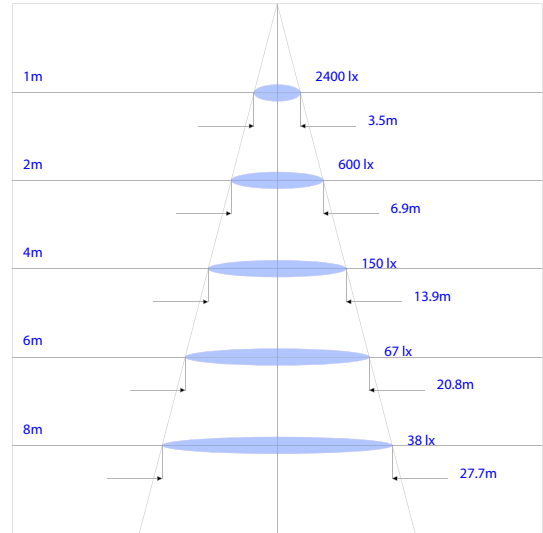
Photometric Information

80 Watt LED - 120° Field angle (beam width)

Polar Intensity Curve

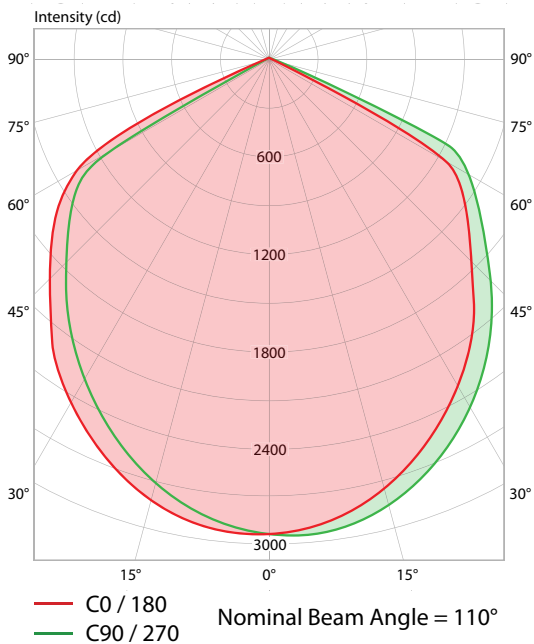


Cone Diagram



100 Watt LED - 120° Field angle (beam width)

Polar Intensity Curve



Cone Diagram

