

Packing List

1. LED Street Light 1pc
2. Warranty Card 1pc
3. I/M 1pc



Under the same brightness, it can save more than 80% energy of the traditional light source

High power LED Streetlight

Instruction Manual

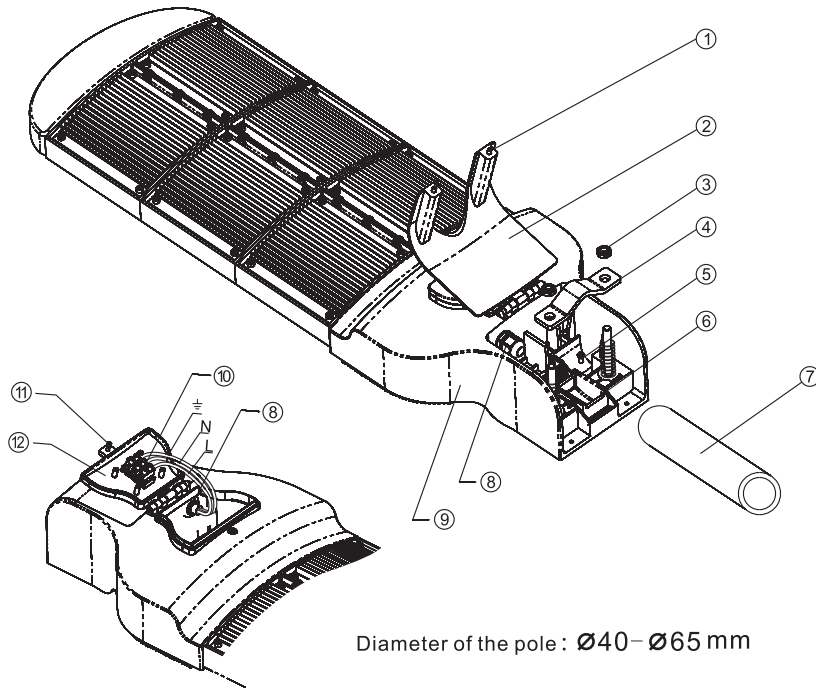
1. Teardown the M5 screw of the plastic cover and the top cover, open the plastic cover;
2. Loosen the M10 nut of the hoop and the M5 screw of the adjuster;
3. Slide the adjuster to the right place, then fix the screw;
4. Make the cable get through the fix-head;
5. Tighten the M10 nut, fix the lamp onto the pole;
6. Close the plastic cover and open the top cover, take out the cable and peel out 6mm, connect the live, neutral and earth cables to the terminals and fix them.
7. Tighten the fix-head, and screw 1 and 11 into the place.

Indication:

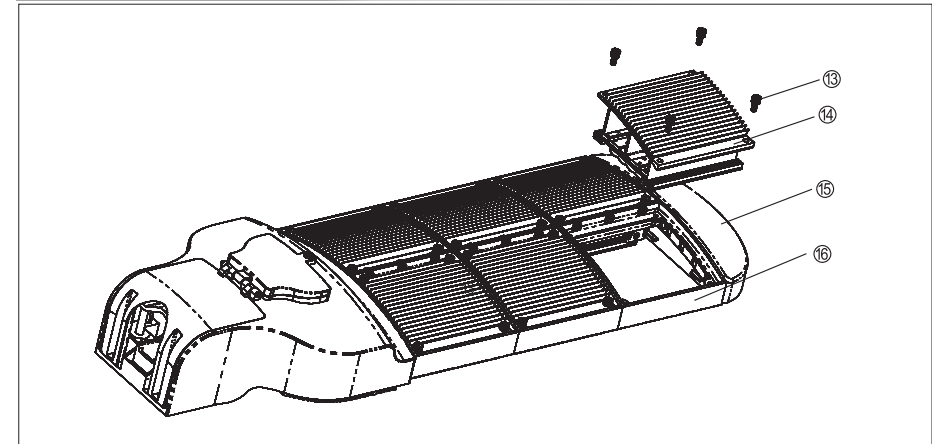
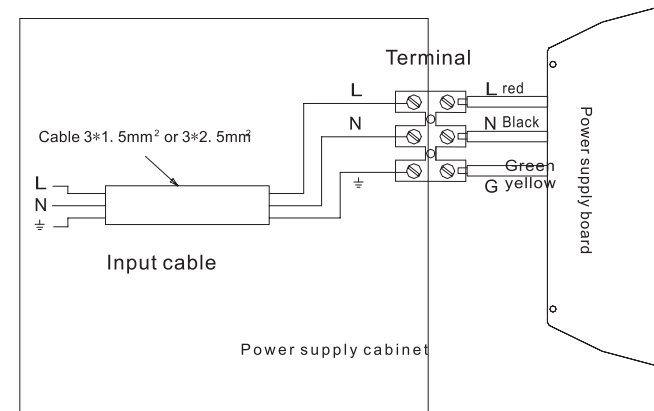
- 1.the adjuster has high and low levels, which is 3 degree different.
- 2.Sliding in the adjuster is overlooking, sliding out the adjuster is uplooking
- 3.The lamp fixture is adjustable in 25 degrees

Indication for installation

- | | | | |
|-----------------|------------|-------------|--------------|
| ① M5 screw | ⑤ M5 screw | ⑨ Lamp base | ⑬ screw |
| ② Plastic cover | ⑥ Adjustor | ⑩ Connector | ⑭ LED module |
| ③ M10 nut | ⑦ Pole | ⑪ M5 screw | ⑮ Lamp head |
| ④ Hoop | ⑧ Fix-head | ⑫ Top cover | ⑯ Framework |



Cable connecting



led module demounting :

- 1.demount the four screws on the heat sink
- 2.pick up the led module slightly and lean it outside
- 3.overturn the led module and take it out
- 4.unplug the cable and remove the led module

led module mounting :

- 1.put the led module into the framework at the right place, plug in the cable and screw into the place.
- 2.put the outside of the module at the right place, then the put in the whole module
- 3.no cable drop of block at the bottom of the framework, which will cause the deformation of the decorating plate
- 4.fix the module with the screws