

Datesheet HighBay light

- ▼ When you need to install or disassemble this light, you must turn off the power and have professionals work
- ▼ Our products comply with CIE 127: 2007; IEC 62031: 2008; IEC / PAS 62612: 2009 international standard
- ▼ All products company warranty policy statement as our website; and this document will describe the warranty period

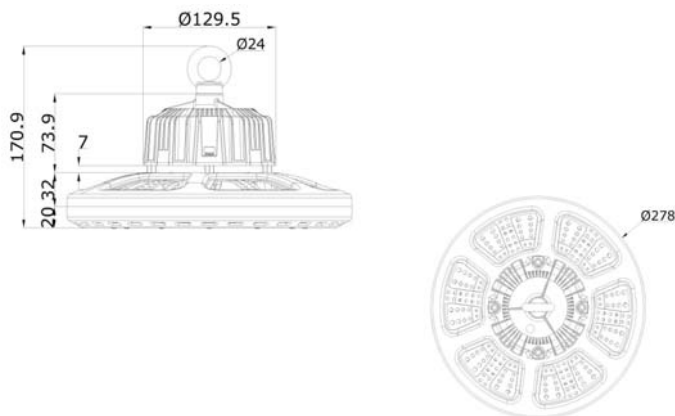


Product: HighBay Light

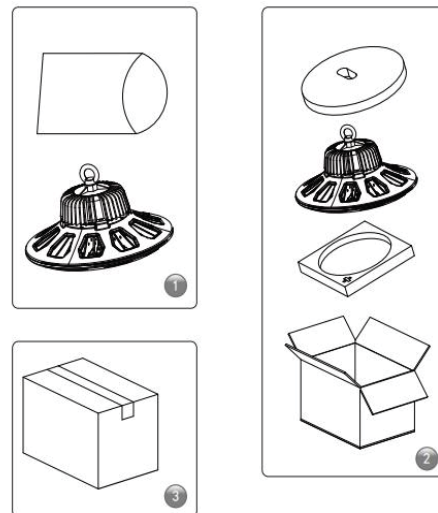
100W

	Item	Parameters	Unit	
	Power	Input voltage	AC90-265/277	V
		Watt	100±1%	W
		Input Current	0.45	A
		Frequency	50/60	Hz
		Driver	Isolated constant current	
	light	Lamp beads	119	PCS
		Fulx	14000±200	lm
		CCT	2800-6500	K
		CRI	Ra≥70	
		Chip	Philips 3030	
		Beam angle	60°, 90°, 120°	(Deg)
	characteristics	Material	Aluminum+PC	
		Certification	CE RoHS TUV	
		Work Environment	-20--40	°C
		Working Hours	≥50000	H
		Warranty	3	Years
	size	Base	Hooks, sling, stents	
		N.W	2.8	kg
		Package Size	33*33*18	cm
		G.W	3.2	Kg

Product and Package:



Size: φ278mm*H107.9mm



Quantity / Carton	1pcs
Carton Size	33*33*18cm
Gross Weight	3.2KGS