

## 300mm LED Traffic Lights Model No.: TP300x2FXP



Novel design with beautiful appearance  
Low power consumption  
High efficiency and brightness  
Large viewing angle  
Long lifespan: 80 000 hours  
Multi-layer sealed and waterproof

**Product Features**  
Visual distance:  $\geq 600\text{m}$   
Housing: Polycarbonate  
Exclusive optical lens and good color uniformity  
Long viewing distance  
Wide temperature:  $-40^{\circ}\text{C}\sim+80^{\circ}\text{C}$

Sun visor: Polycarbonate  
Target board: Aluminum  
CE, IP55, ITE Standard, RoHS,  
TUV, UL, EMC, LVD, WEEE,  
Svensk standard SS-EN 12368:2006

### Technical Parameters:

| Article Number | Color       | LED Qty | Light Intensity     | Wave Length          | Viewing Angle L/R | Viewing Angle U/D | Power | Working Voltage                        | Housing Material |
|----------------|-------------|---------|---------------------|----------------------|-------------------|-------------------|-------|--|------------------|
| TP200x2FXP     | Red X       | 105     | $\leq 800\text{cd}$ | $625\pm 5\text{ nm}$ | 60°               | 30°               | 7W    | 11-30VDC/VAC<br>85V-265VAC,<br>50/60HZ | PC, UV resistant |
|                | Green Arrow | 65      | $\leq 800\text{cd}$ | $505\pm 2\text{ nm}$ |                   |                   | 6W    |  |                  |

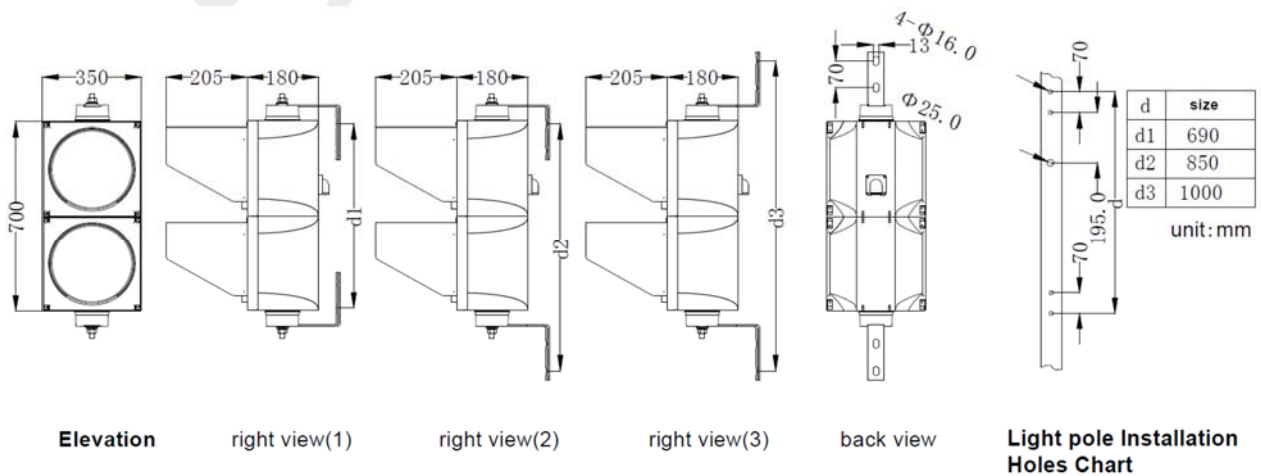
### Packing Info:

| Carton Size          | QTY               | GW     | NW     | Wrapper    | Volume (m3) |
|----------------------|-------------------|--------|--------|------------|-------------|
| 0,88 * 0,42 * 0,22 m | 1 pcs /carton box | 7,3 kg | 9,0 kg | K=K carton | 0,1         |

### Packing List:

| Name       | Light | L Bracket | Sun Visor | M4×10 Screw | M4×20 Screw | Terminal Cover & Terminal Cover Gasket | Using Manual |
|------------|-------|-----------|-----------|-------------|-------------|--|--------------|
| Qty. (pcs) | 2     | 2         | 2         | 8           | 4           | 1                                      | 1            |

### Installation Sketch:



**Address**  
LED Light Scandinavia AB  
Lerklockan 8  
739 93 Riddarhyttan  
Sweden  
**Phone**  
+46 (0)73-679 35 50

**Company headquarters**  
Riddarhyttan  
**Bank**  
Handelsbanken  
**IBAN**  
SE09 6000 0000 0008 0664 0448  
**BIC**  
HANDSESS

**Bankgiro**  
548-7319  
**Organization no**  
556968-1157  
**VAT number**  
SE556968115701  
**Holds F-tax certificate**

**Internet**  
www.ledochled.se  
**E-mail**  
info@ledochled.se  
**Terms & delivery conditions**  
www.ledochled.se/villkor